

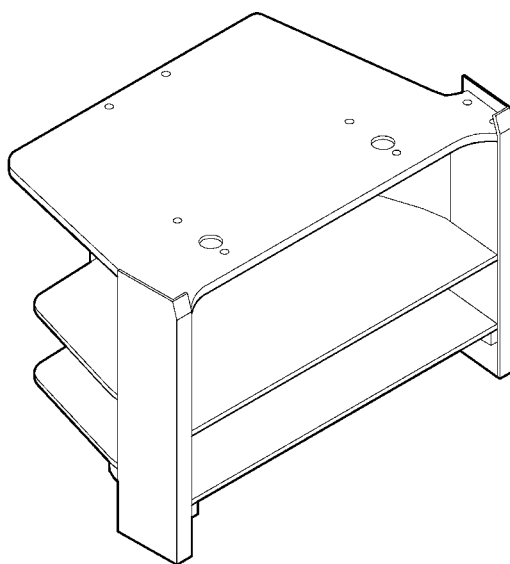
JVC

SERVICE MANUAL

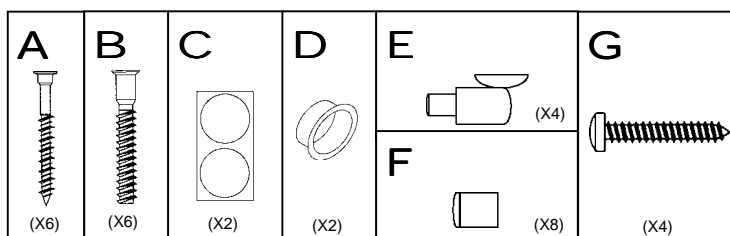
TV STAND

RK-C28F10S_{IC}

RK-C32F10S_{IC}



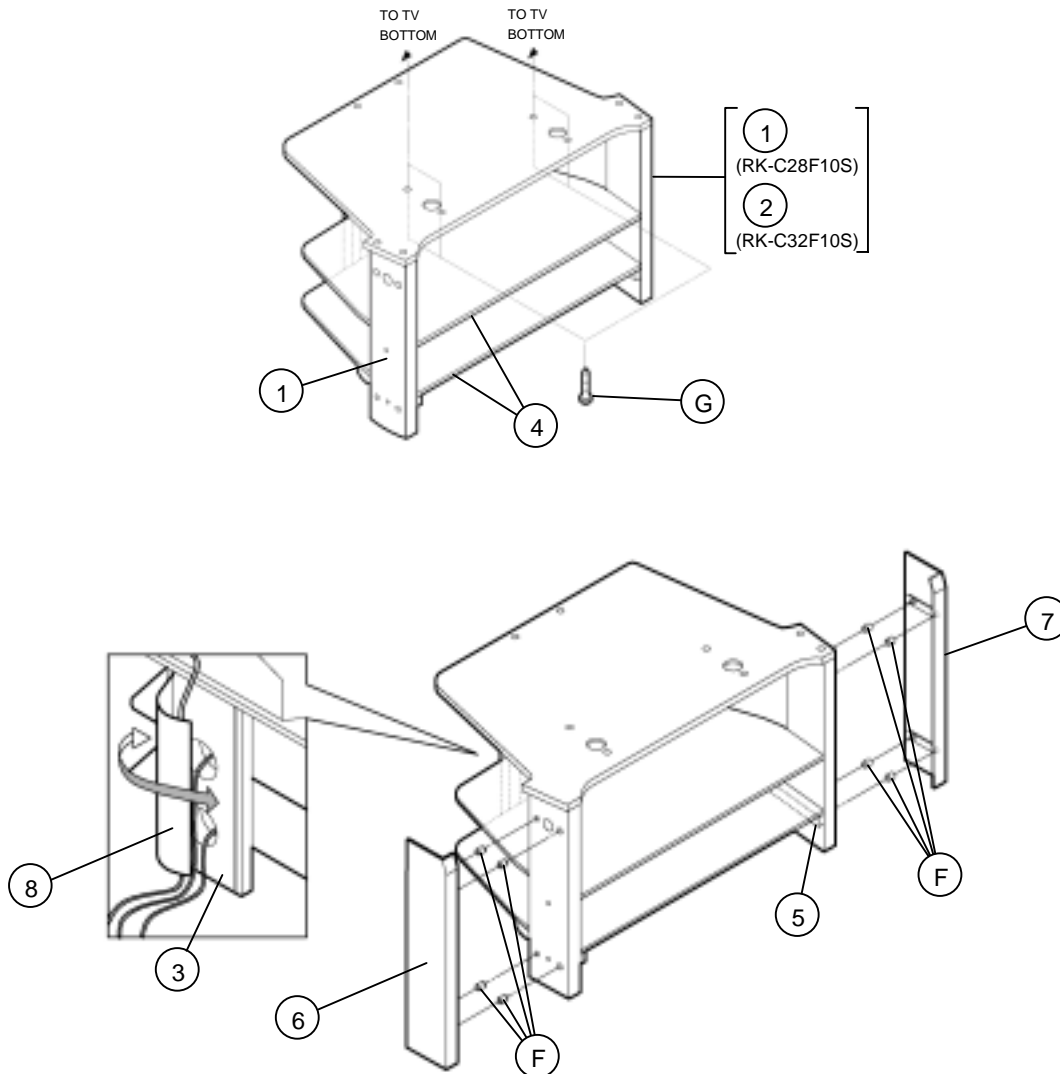
FIXING KIT

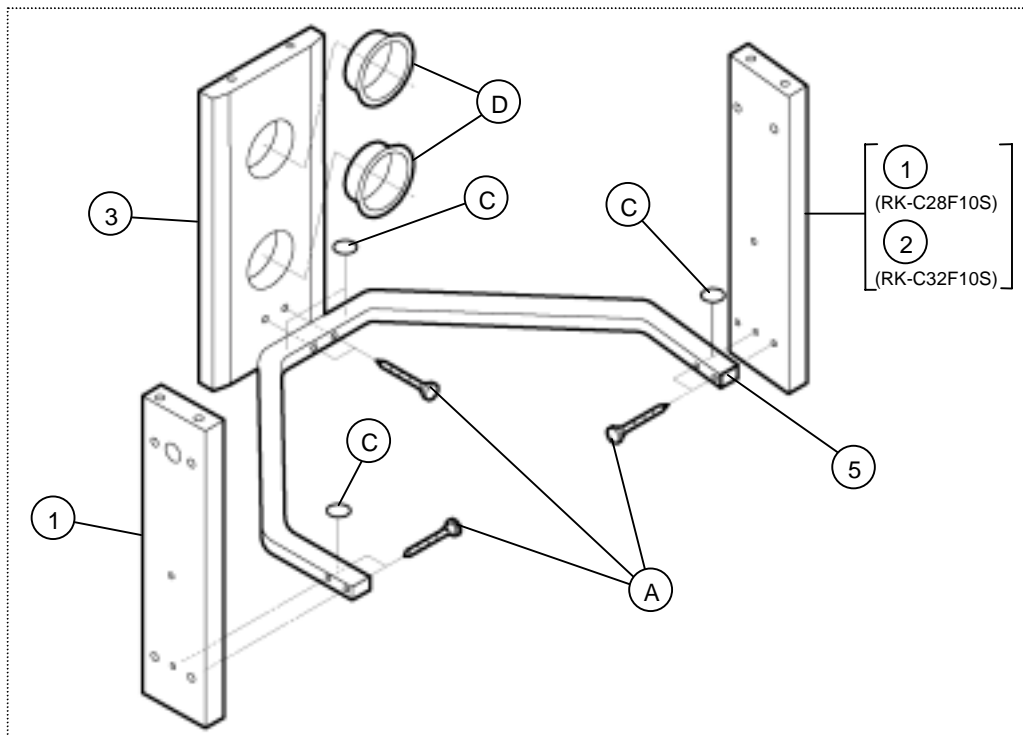
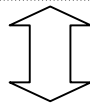
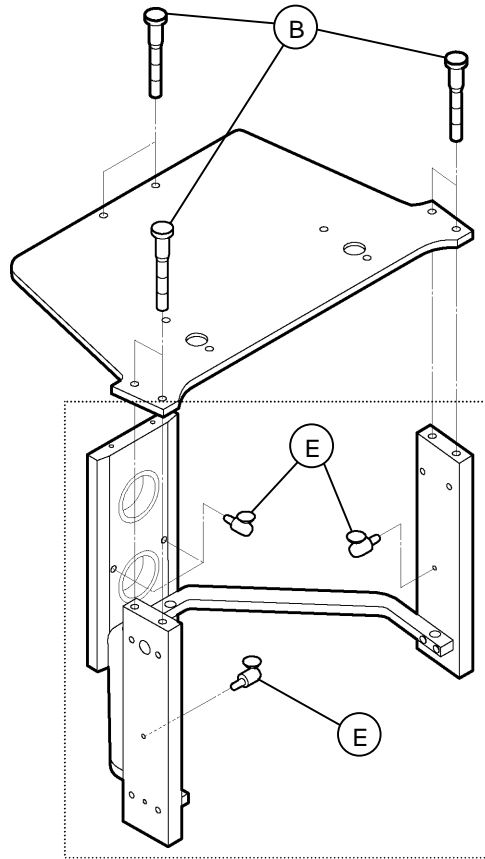


EXPLODED VIEW

PARTS LIST

△	Ref. No.	Parts No.	Parts Name	Qty	Description
	1	AEM2195-001A-E	SIDE PROFILE	2	LEFT/RIGHT (RK-C28F10S)
	1	AEM2217-001A-E	SIDE PROFILE	1	LEFT (RK-C32F10S)
	2	AEM2218-001A-E	SIDE PROFILE	1	RIGHT (RK-C32F10S)
	3	AEM2196-001A-E	BACK PROFILE	1	
	4	AEM2198-001A-E	GLASS SHELVES	2	(RK-C28F10S)
	4	AEM2220-001A-E	GLASS SHELVES	2	(RK-C32F10S)
	5	AEM2199-001A-E	METAL FRAME	1	(RK-C28F10S)
	5	AEM2221-001A-E	METAL FRAME	1	(RK-C32F10S)
	6	AEM2204-001A-E	MOULDED SIDE PANEL	1	LEFT (RK-C28F10S)
	6	AEM2222-001A-E	MOULDED SIDE PANEL	1	LEFT (RK-C32F10S)
	7	AEM2204-002A-E	MOULDED SIDE PANEL	1	RIGHT (RK-C28F10S)
	7	AEM2223-001A-E	MOULDED SIDE PANEL	1	RIGHT (RK-C32F10S)
	8	AEM2205-001A-E	CABLE MANAGEMENT COVER	1	
		AEM2202-001A-E	INSTRUCTION MANUAL	1	
		AEM2201-001A-E	ASSY FIXING KIT containing	1	A B C D E F G (RK-C28F10S)
		AEM3262-001A-E	ASSY FIXING KIT containing	1	A B C D E F G (RK-C32F10S)





JVC

VICTOR COMPANY OF JAPAN, LIMITED

PROJECTION & SYSTEM NETWORK BUSINESS UNIT 12, 3-chome, Moriya-cho, Kanagawa-ku, Yokohama, Kanagawa-prefecture, 221-8528, Japan



VP 0111
DP1059